

## M1-2F Push-to-Close Dual-Sided Latch

Lift-to-open · Flush

### Features

- Lift-to-open
- Single hole installation
- Dual sided latching

### Accessories

- Flat key, keyed alike CH751  
(2 keys per ring): PK-10-01
- Overmolded key, keyed alike CH751  
(2 keys per ring): PK-10-01-05

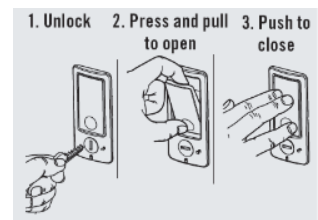
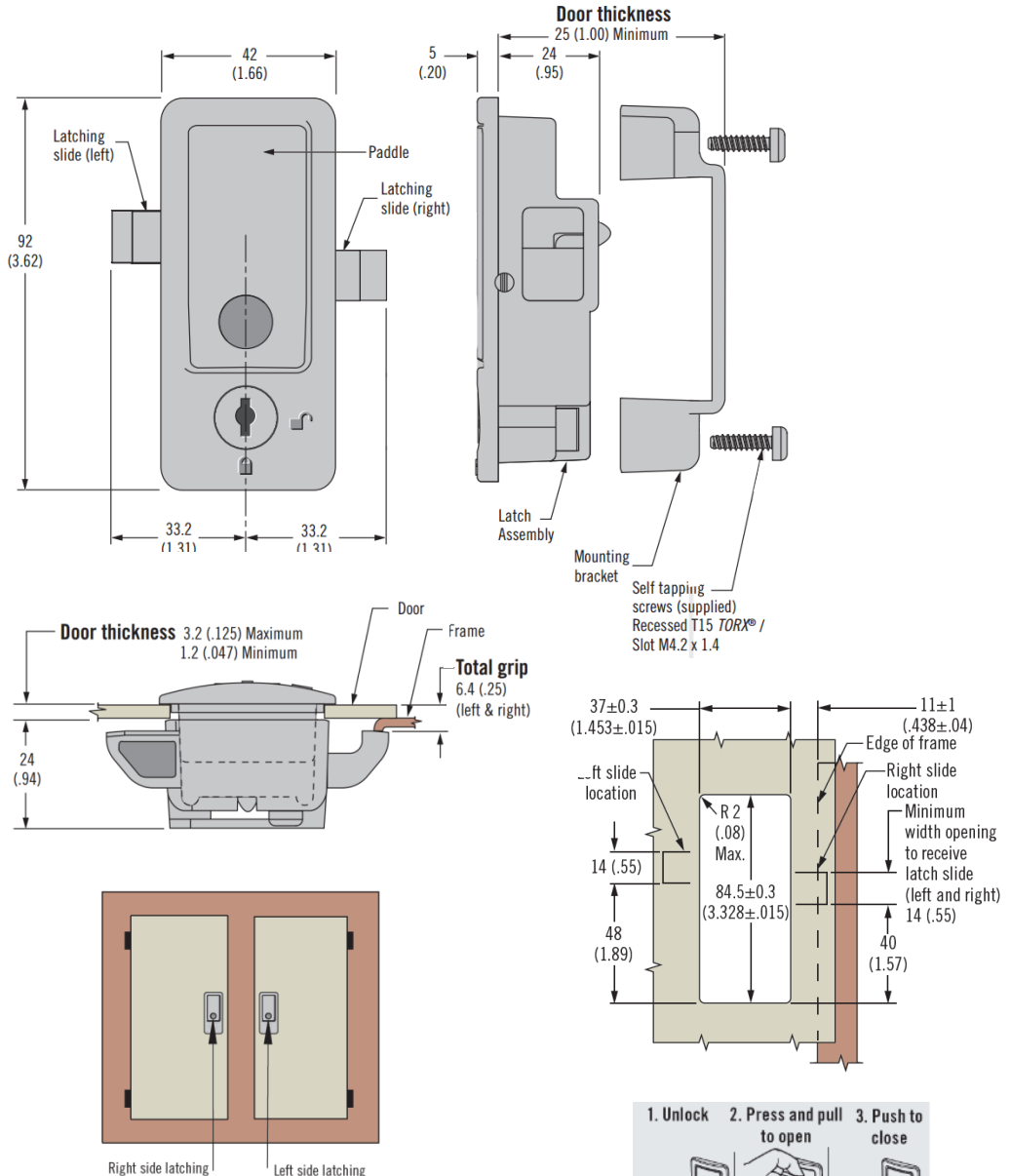


### Material

- Latching slides and mounting bracket:  
Glass-filled reinforced nylon black
- Housing and paddle: Polycarbonate/ABS, black

### Product Performance

- Maximum working load: 500 N
- Flammability rating: UL94-HB
- Maximum tightening torque on TORX® mounting screws: 1.8 N.m



Part Number (2 Flat Keys Supplied)	
Right side latching	M1-2F-1-25
Dual side latching	M1-2F-2-25
Left side latching	M1-2F-3-25